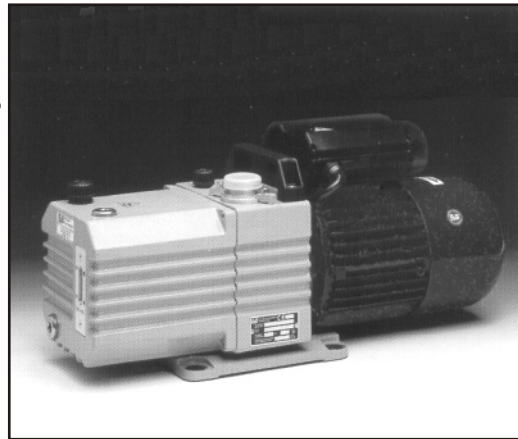


DuraVane^{HV} high vacuum pumps (RVH-series): Lubricated rotary vane pumps capable of pressures down to 3.8×10^{-3} Torr*. (Partial final pressure down to 3.8×10^{-4} Torr - McLeod). The pumps feature a compact design with very quiet operation (54dBA). Typical applications include laboratories and other high vacuum requirements.



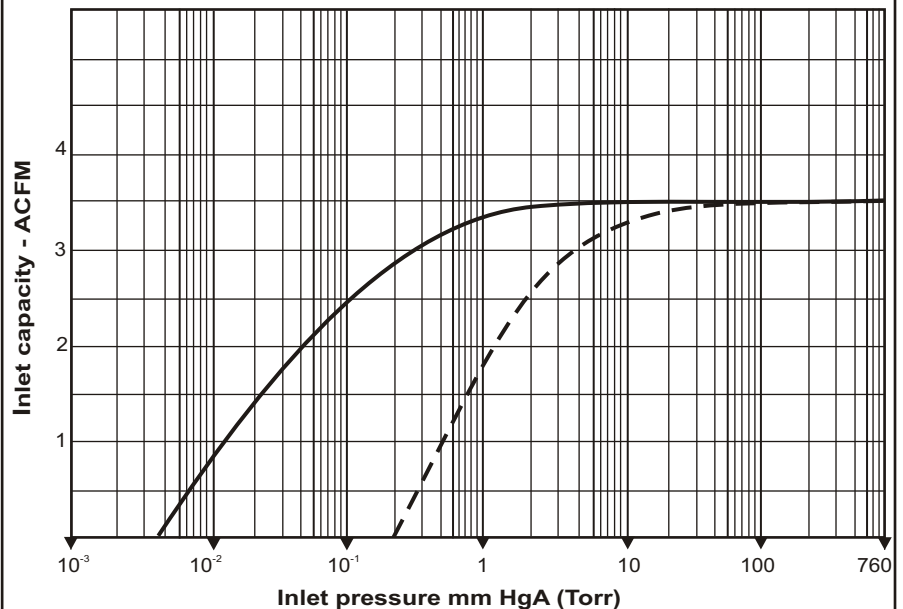
Performance characteristics	
Number of stages:	2
Displacement:	3.8CFM
Final pressure:	3.8×10^{-3} Torr
Partial(McCleod):	3.8×10^{-4} Torr
with gas ballast:	2×10^{-1} Torr
Motor:	1.25HP/60HzTEFC
Voltage:	220/240V/1phase
Speed:	1800RPM
Noise level(at 3ft):	54dBA
Oil reservoir cap.:	0.75qt
Oil type:	Duratex100
Weight:	51Lbs
Inlet conn.:	NW(KF)-25
Discharge conn.:	1/2"NPT

- Heavy duty construction.
- Compact design, small footprint.
- Multi-frequency motor.
- Gas ballast valve is standard.
- Low noise level.
- Low maintenance.
- Air-cooled design.
- Direct drive.
- Simple to install.

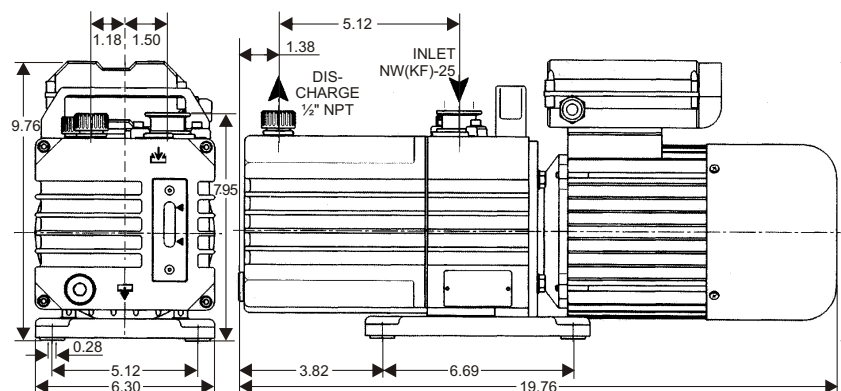
RVH004H

Based on 29.92 inch Hg barometric pressure.
Inlet temperature 70° deg. F.

--- with gas ballast



RVH004H



* = Total final pressure unless otherwise specified.

Information contained in this document is for reference only. Subject to change without notice.