

Introducing the **TITAN** series  
high efficiency, single-stage  
liquid ring vacuum pump.

Why should you consider this vacuum pump for your application?

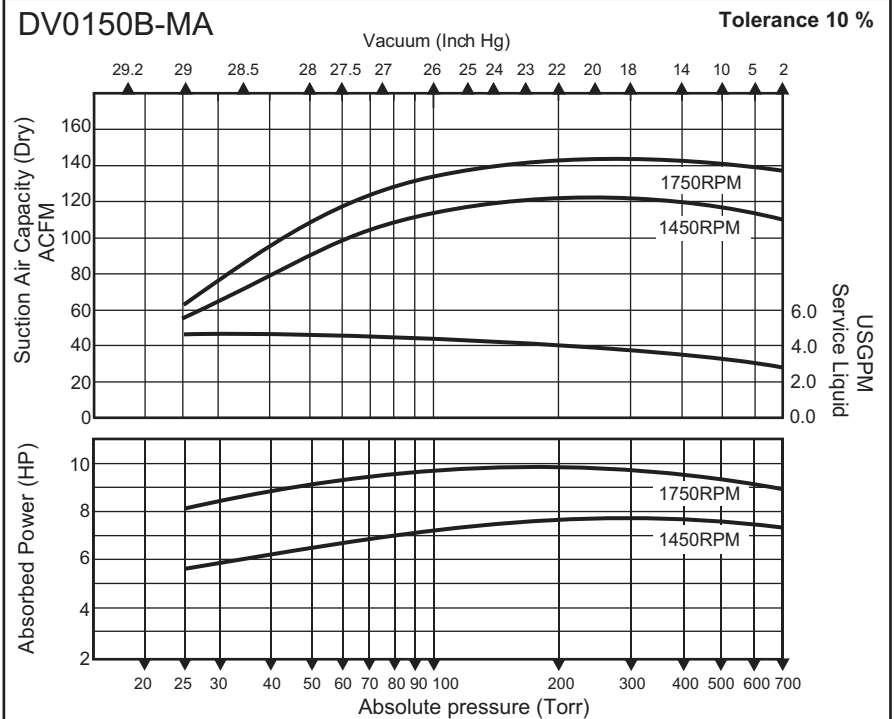
- ◆ Designed for heavy duty applications.
- ◆ 316 stainless steel impeller is standard.
- ◆ Features economical UL/CSA EPACT-compliant motor-mounted design.
- ◆ Manufactured to ISO 9001 standards.
- ◆ Low operating noise level.
- ◆ Features single face mechanical seal as standard.
- ◆ Virtually no maintenance is required.
- ◆ Compact design results in small footprint design.
- ◆ Capable of handling saturated gas mixtures.
- ◆ Capable of handling small amounts of liquids.
- ◆ Only one moving part.
- ◆ Can operate using various seal-fluids.



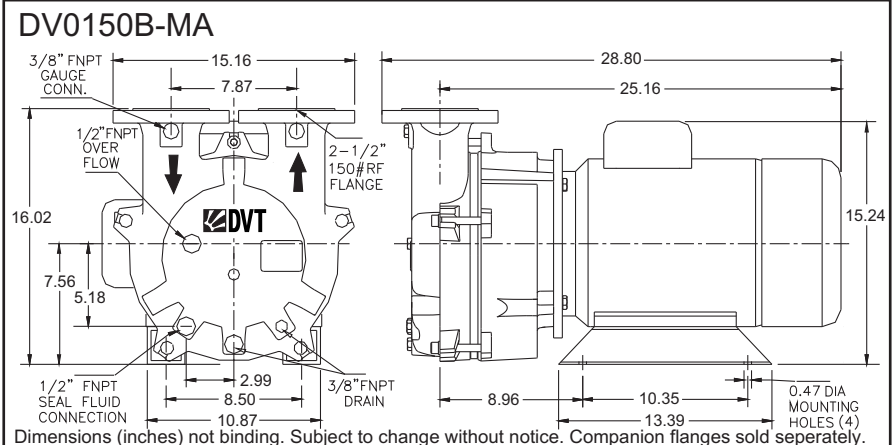
**Performance characteristics**

Nominal capacity: 150CFM  
 Motor: 60Hz/10HP/7.5kW  
 50Hz/7.5HP/5.5kW  
 Speed(RPM): 60Hz/1750  
 50Hz/1450  
 Max.vacuum: 29"Hg/25Torr  
 Weight (including motor): 310Lbs/141kg  
 Max. gas inlet temp: 212°F/100°C  
 Max.noise level(at 3ft):74 dBA  
*Performance based on dry air, seal-water temperature 60°F and atmospheric pressure of 29.92"Hg.*

DV0150B-MA



DV0150B-MA



Materials of construction/Seal code				
Mat.code	1	2	3	4
Casing	NA	NA	cast iron	316 SS
Portplate	NA	NA	cast iron	316 SS
Impeller	NA	NA	316 SS	316 SS
Shaft	NA	NA	420 SS	316 SS
Seal code	NA	NA	A*	B*

A= standard mechanical seal with Viton elastomer  
 B= standard mechanical seal with Teflon elastomer  
 \* = other seal materials available upon request.