

Introducing the **TITAN** series
high efficiency, single-stage
liquid ring vacuum pump.

Why should you consider this vacuum pump for your application?

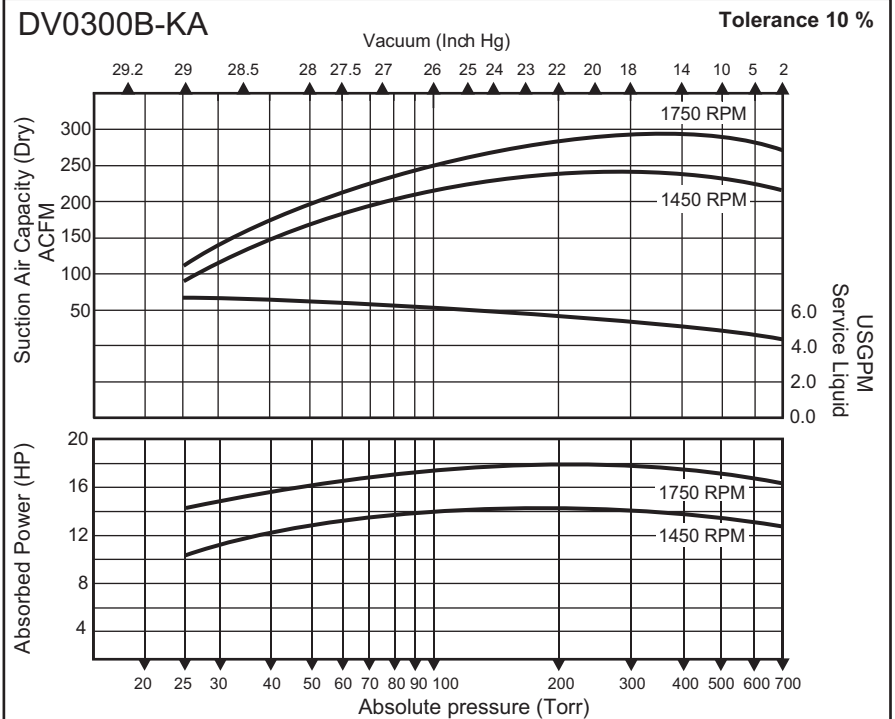
- ◆ Designed for heavy duty applications.
- ◆ 316 stainless steel impeller is standard.
- ◆ Sturdy bearing pedestal mounts to standard NEMA, C-face motor.
- ◆ Manufactured to ISO 9001 standards.
- ◆ Low operating noise level.
- ◆ Heavy duty bearings mounted external to the pumping chamber.
- ◆ Features single face mechanical seal as standard.
- ◆ Virtually no maintenance is required.
- ◆ Pumps are available in different materials to suit your application.
- ◆ Capable of handling saturated gas mixtures.
- ◆ Capable of handling small amounts of liquids.
- ◆ Only one moving part.
- ◆ Can operate using various seal fluids.



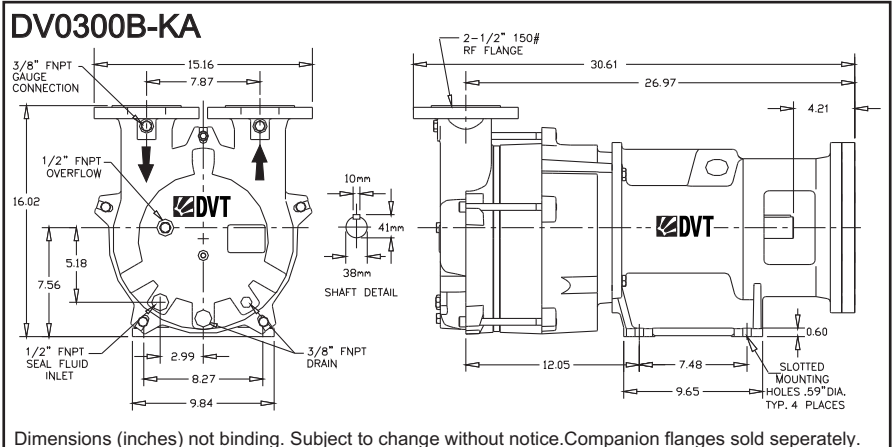
Performance characteristics

Nominal capacity: 300CFM
 Motor: 60Hz/20HP/15kW
 50Hz/15HP/11kW
 Speed(RPM): 60Hz/1750
 50Hz/1450
 Max.vacuum: 29"Hg/25Torr
 Weight (excluding motor): 297Lbs/135kg
 Max. gas inlet temp: 212°F/100°C
 Max.noise level(at 3ft):75 dBA
Performance based on dry air, seal-water temperature 60°F and atmospheric pressure of 29.92"Hg.

DV0300B-KA



DV0300B-KA



Dimensions (inches) not binding. Subject to change without notice. Companion flanges sold separately.

Materials of construction/Seal code				
Mat.code	1	2	3	4
Casing	NA	NA	cast iron	316 SS
Portplate	NA	NA	cast iron	316 SS
Impeller	NA	NA	316 SS	316 SS
Shaft	NA	NA	420 SS	316 SS
Seal code	NA	NA	A*	B*

A= standard mechanical seal with Viton elastomer
 B= standard mechanical seal with Teflon elastomer
 * = other seal materials available upon request.