

Liquid ring compressor
DC0035B-KA

TITAN-C series *single-stage liquid ring compressors are the preferred choice for compressing contaminated and corrosive process gasses, because of their ability to handle saturated gas mixtures and small amounts of liquid carried over from the process.*

The unit offers the following design features:

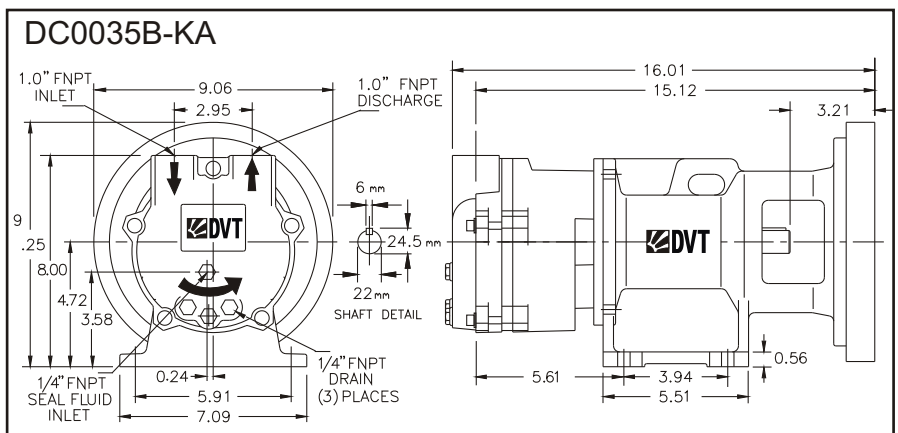
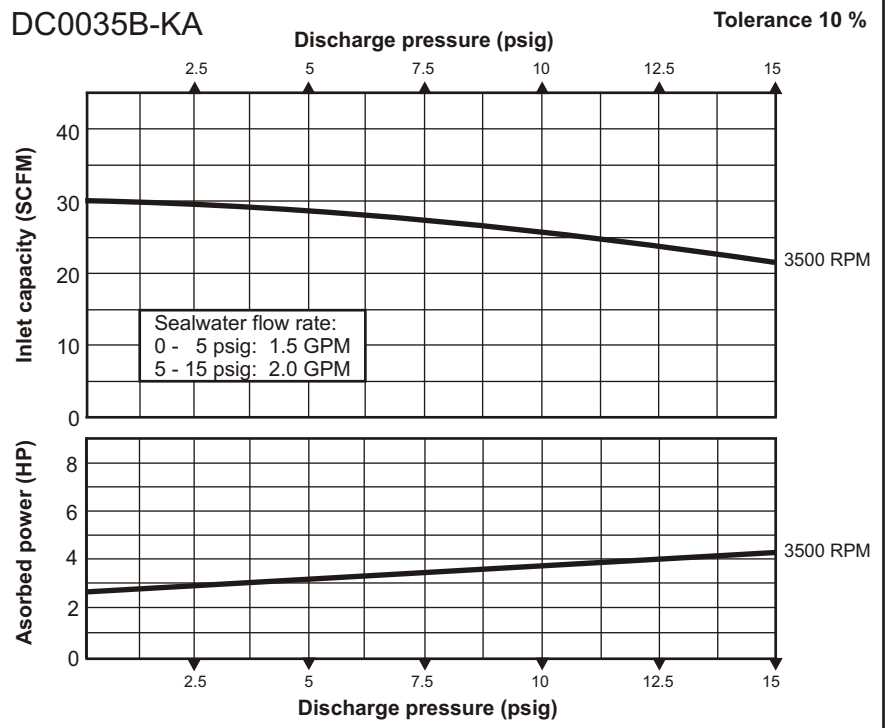
- ◆ Supplies 100 % oil-free air.
- ◆ Features stainless steel impeller as standard.
- ◆ Designed for heavy duty applications.
- ◆ Heavy duty bearings mounted external to the pumping chamber.
- ◆ Sturdy bearing pedestal mounts to standard NEMA, C-face motor.
- ◆ Features single face mechanical seals as standard.
- ◆ Virtually no maintenance is required.
- ◆ Pumps are available in different materials to suit your application.
- ◆ Only one moving part.
- ◆ Can operate using various seal-fluids.
- ◆ Manufactured to ISO 9001 standards.
- ◆ Low operating noise level.



Performance characteristics

Nominal capacity: 30CFM
 Motor: 5HP
 Speed: 3500RPM
 Max.pressure: 18psig
 Weight (excluding motor): 62Lbs/28kg
 Max. gas inlet temperature: 212°F/100°C

Performance based on dry air, seal-water temperature 60°F and atmospheric pressure of 14.7 psia.



Materials of construction/Seal code				
Mat.code	1	2	3	4
Casing	NA	NA	cast iron	316 SS
Portplate	NA	NA	cast iron	316 SS
Impeller	NA	NA	316 SS	316 SS
Shaft	NA	NA	420 SS	316 SS
Seal code	NA	NA	A*	B*

A= standard mechanical seal with Viton elastomer
 B= standard mechanical seal with Teflon elastomer
 * = other seal materials available upon request.