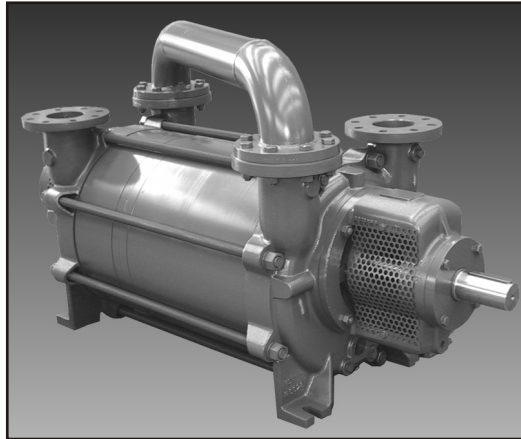


Presenting the **TITAN** SERIES
two-stage liquidring vacuum pump.

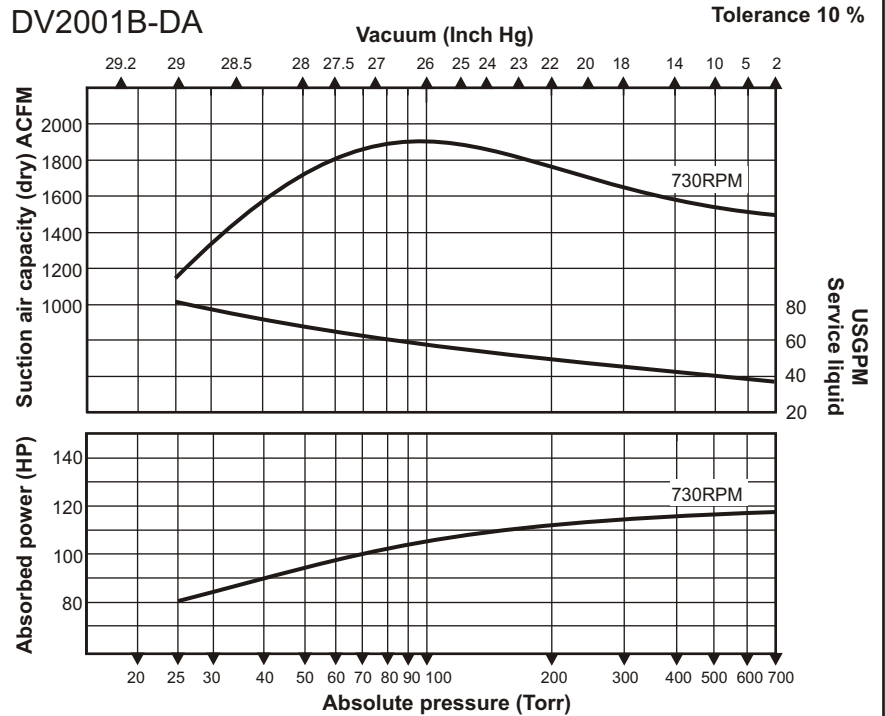
Why should you consider this vacuum pump for your application?

- ◆ Designed for heavy duty applications.
- ◆ Low operating noise level.
- ◆ Heavy duty bearings mounted external to the pumping chamber.
- ◆ Features single face mechanical seals as standard.
- ◆ Double mechanical seals are available upon request
- ◆ Virtually no maintenance is required.
- ◆ Pumps are available in different materials to suit your application.
- ◆ Capable of handling saturated gas mixtures.
- ◆ Capable of handling small amounts of liquids.
- ◆ Only one moving part.
- ◆ Can operate using various seal-fluids.



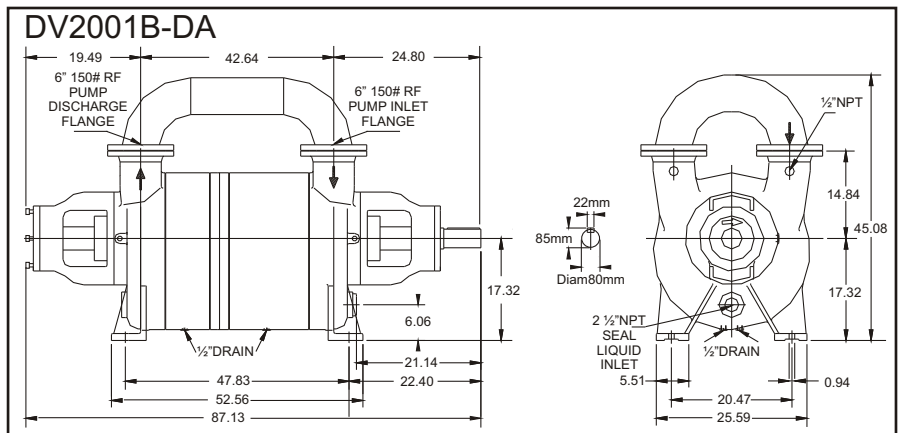
Performance characteristics
 Nominal capacity: 2000CFM
 Motor: 125HP
 Speed: 730RPM
 Max. vacuum: 29"Hg/25Torr
 Weight (bare-shaft): 3740lbs/1700kg
 Max. gas inlet temp: 212°F/100°C
 Max. noise level(at 3ft):85 dBA

Performance based on dry air, seal-water temperature 60°F and atmospheric pressure of 29.92"Hg.



Materials of construction/Seal code				
Mat.code	1	3	4	11
Casing	NA	cast iron	316 SS	cast iron
Portplate	NA	cast iron	316 SS	cast iron
Impeller	NA	316 SS	316 SS	304 SS
Shaft	NA	420 SS	316 SS	420 SS
Seal code	NA	A*	A*	A*

A= standard mechanical seal with Viton elastomer
 B= standard mechanical seal with Teflon elastomer
 * = other seal materials available upon request.



Dimensions (inches) not binding. Subject to change without notice. Companion flanges NOT included.