

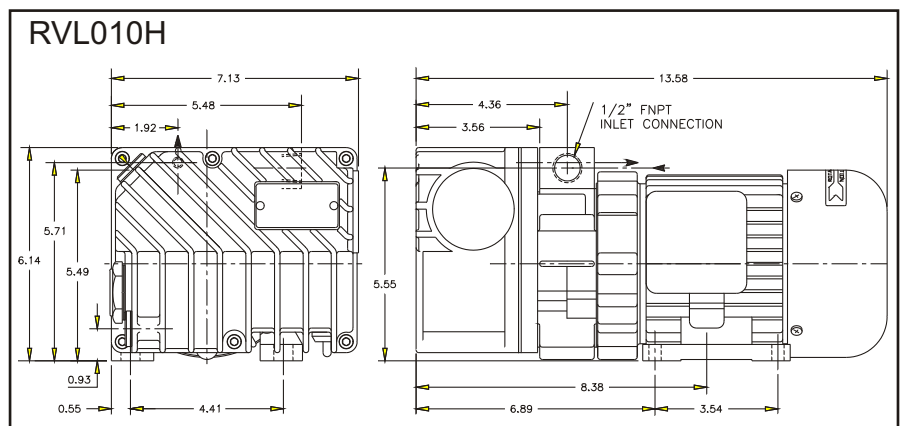
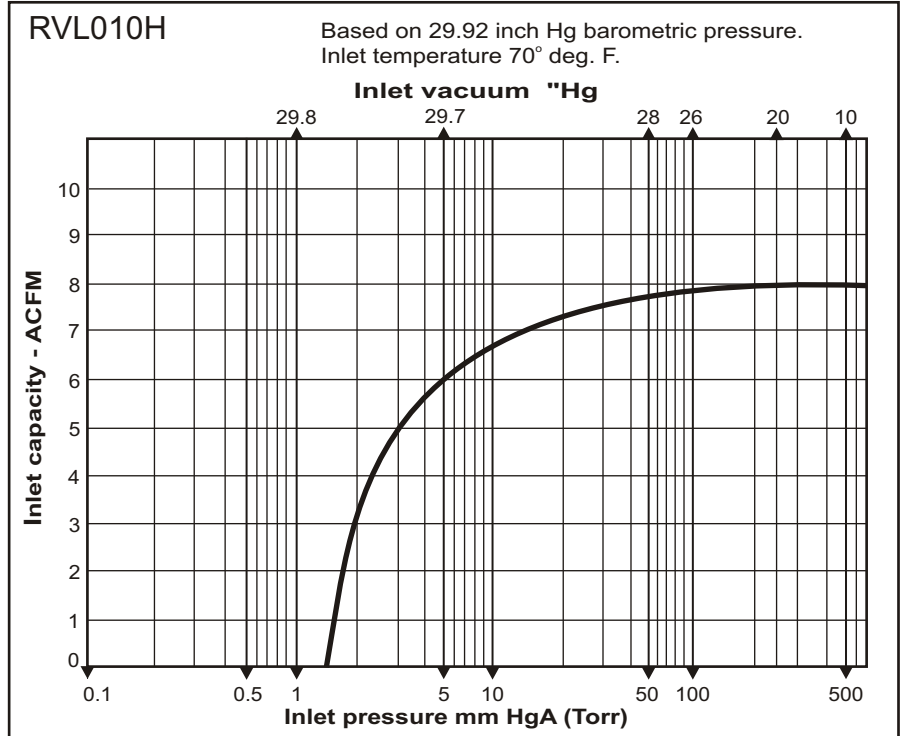
DuraVane lubricated rotary vane pumps are single-stage pumps with an integrated closed loop oil recirculation system.

- Heavy duty construction.
- Compact design, small footprint.
- High-tech vane material provides long vane life.
- Gas ballast valve is standard.
- Low noise level.
- Low maintenance.
- Air-cooled design is standard.
- Internally mounted inlet check valve.
- High efficiency multi-stage exhaust filter removes 99.9% of exhaust smoke.
- Direct drive with flange mounted motor.
- Simple to install.



Performance characteristics

Displacement:	8.5CFM
Final pressure:	1.5Torr
Motor:	0.75HP/60HzTEFC
Voltage:	115/230V/1phase 208/230/460V/3phase
Speed:	3400RPM
Noise level(at 3ft):	62dBA
Oil reservoir cap.:	0.3qt
Oil type:	Duratex 32
Weight:	35Lbs
Inlet conn.:	1/2"NPT
Discharge conn.:	-



Information contained in this document is for reference only. Subject to change without notice.