

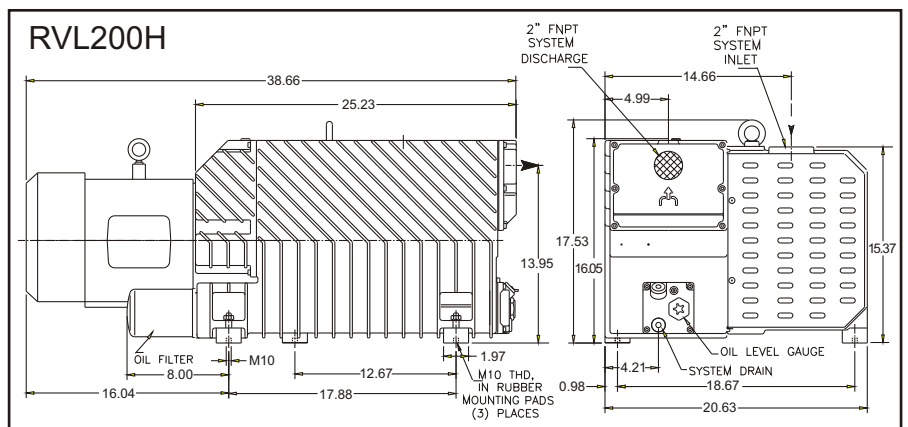
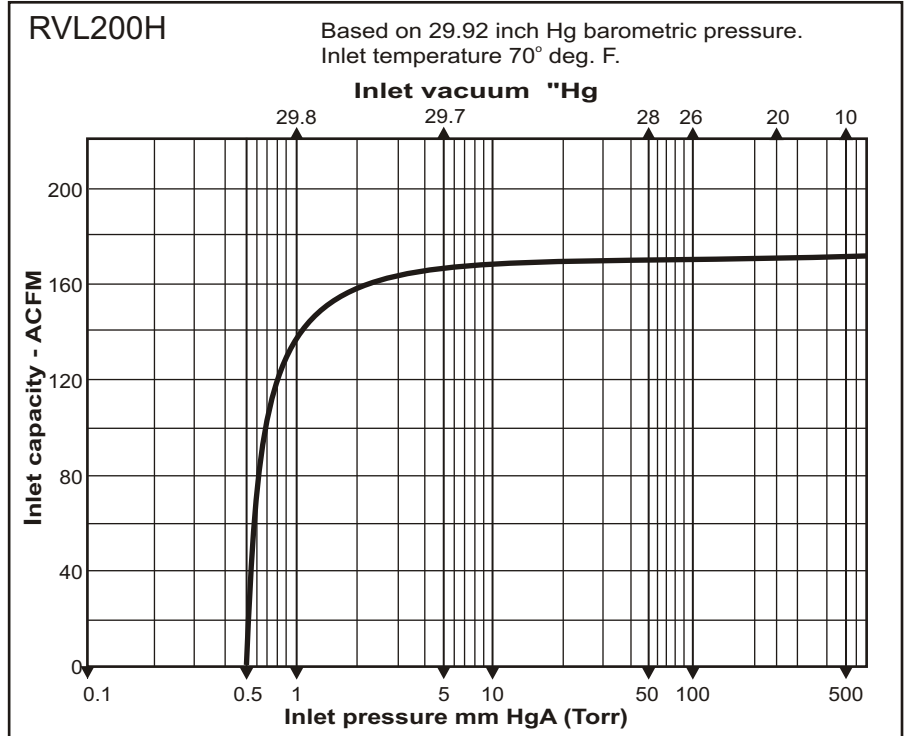
DuraVane
Lubricated rotary vane pump
RVL200H

DuraVane lubricated rotary vane pumps are single-stage pumps with an integrated closed loop oil recirculation system.

- Heavy duty construction.
- Compact design, small footprint.
- High-tech vane material provides long vane life.
- Low noise level.
- Low maintenance.
- Air-cooled design.
- Internally mounted inlet check valve.
- High efficiency multi-stage exhaust filter removes 99.9% of exhaust smoke.
- Direct drive.
- Simple to install.



Performance characteristics	
Displacement:	180CFM
Final pressure:	0.5Torr
Motor:	10HP/60HzTEFC
Voltage:	230V/1phase 208/230/460V/3phase
Speed:	1800RPM
Noise level(at 3ft):	76dBA
Oil reservoir cap.:	5qt
Oil type:	Duratex 100
Weight:	370Lbs
Inlet conn.:	2"NPT
Discharge conn.:	2"NPT



Information contained in this document is for reference only. Subject to change without notice.