



Aircel Cyclone Separators are designed for efficient removal of liquid water and particulate from compressed air and gases.

Aircel DF-C Cyclone Separators deliver high separation efficiency at low pressure drop through an optimal flow-path design. An innovative insert in the cyclone head creates centrifugal action that forces liquid and particulate to the housing wall. Friction with the housing causes the liquid and particulate to lose part of their kinetic energy and drop out of the higher moving airstream.

Collected condensate is removed by a time controlled UFZ condensate drain, while the purified compressed air or gas exits to the industrial application downstream. Available in six different sizes with a flow range from 70 to 647 scfm at 100 psig.

DF-C Series Features

- Flow-optimized design.
- Innovative spin insert.
- Bayonet lock ensures housing cannot be opened under pressure.
- Immersion-laquered housing on inside and out side surfaces.
- Wall-bracket and UFM-T electronic level-controlled condensate drain options.
- Reduced power and energy consumption.

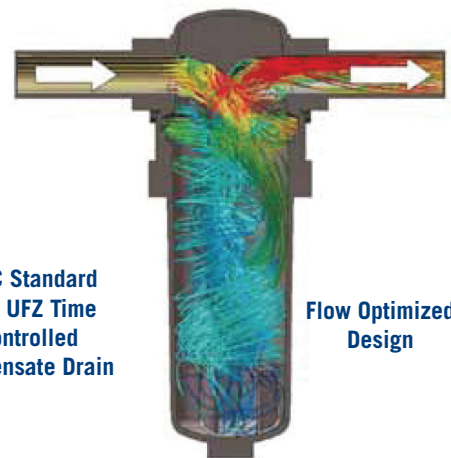
DF-C Series Benefits

- Low pressure drop resulting in energy savings.
- High efficiency over a broad flow range.
- Highly efficient moisture separation.
- Long-term corrosion protection.
- Flexibility to meet installation and application requirements.

DF-C SERIES Compressed Air & Process Filtration



DF-C Standard
with UFZ Time
Controlled
Condensate Drain



Flow Optimized
Design

DF-C SERIES TECHNICAL SPECIFICATIONS



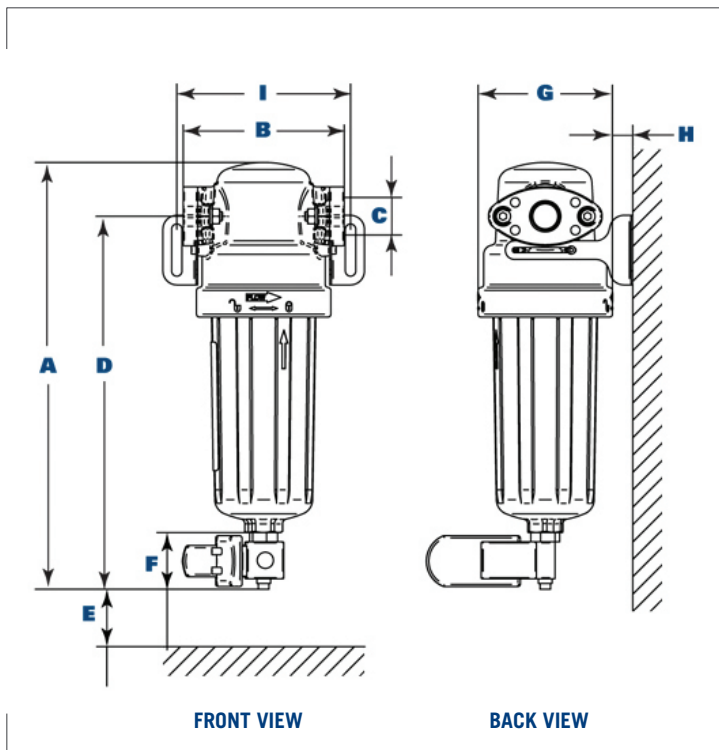
DF-C SERIES Model Comparison

Size	Flow Rate* (scfm)	Volume (gal)	Weight (lbs)	Dimensions (inches)									
				A	B	C (in FNPT)	D	E	F	G	H (min/max)		I
0120	70	0.106	3.5	11.14	4.06	1/2	9.6	4.53	1.93	3.35	0.88 / 2		4.2
0210	123	0.304	5.9	14.51	5.5	3/4	12.7	7.1	1.93	4.6	0.88 / 2.8		5.9
0320	188	0.304	5.9	14.51	5.5	1	12.7	7.1	1.93	4.6	0.88 / 2.8		5.9
0450	264	1.32	6.4	22.5	7.5	1-1/2	20	9.8	1.93	6.3	0.88 / 13.56		7.5
0750	441	1.32	6.4	22.5	7.5	2	20	9.8	1.93	6.3	0.88 / 13.56		7.5
1100	647	1.32	6.4	22.5	7.5	2	20	9.8	1.93	6.3	0.88 / 13.56		7.5

* Nominal flow at 100 psig, scfm related to 14.7 psia.

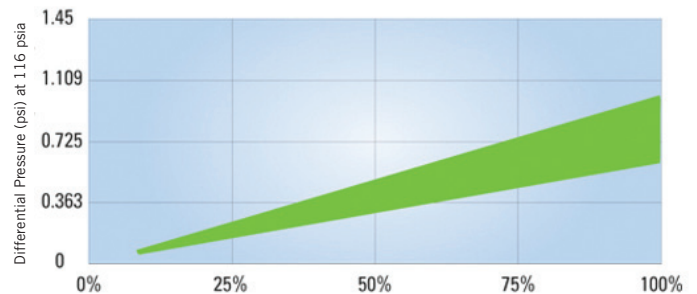
Due to a continuous program of product improvement, specification and dimensions are subject to change without notice.

DF-C SERIES Model Dimensions



DF-C Cyclone Separator

Differential Pressure Related to Nominal Flow Rate



Specifications

Materials		Operating Conditions	
Filter Housing	Aluminum Die Cast	Maximum Operating Pressure	232 psi
Time Drain	Brass	Test Pressure	332 psi
Sealings	Viton®/NBR	Continuous Operating Temperature	34°F to 149°F

* Viton® is a registered trademark of DuPont Performance Elastomers L.L.C.

Classification per 97/23/EG for Fluids Group 2		Retention Rate Related to 116 psia	
DC-F 0120 to DF-C 0320	Art.3, Par. 3	≥ 5 micron	99%
DF-C 0450 to DF-C 1100	Cat. 1	≥ 10 micron	100%



AIRCEL
323 Crisp Circle
Maryville, Tennessee
37801

PHONE
(800) 767-4599
Local: (865) 681-7066
Fax: (865) 681-7069

SALES INFORMATION
sales@aircelcorp.com
REQUEST LITERATURE
litrequest@aircelcorp.com