

DEHYDRATM 52

condensate purge system

Demand Activated Condensate Removal



▶ **The Proven Performance Leader in Thousands of Installations**

▶ **Handles Compressed Air Systems from 100 to 100,000 CFM**

▶ **Zero Air Loss**

▶ **Efficient All Pneumatic Operation**

▶ **Large Clog Resistant Fluid Porting**

▶ **No Electricity Required**

▶ **Intrinsically Safe**

▶ **Resists Most Chemically Hostile Environments**

▶ **Three Year Warranty**

Excellent Return on Investment

Often Saves Enough Compressed Air to Self-Amortize in Six Months or Less.

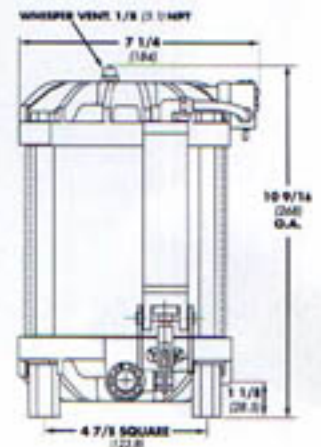
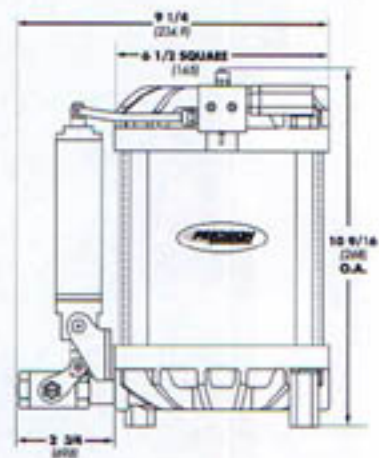
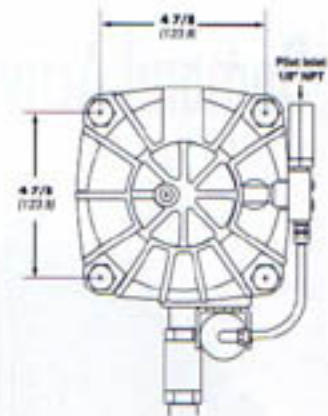
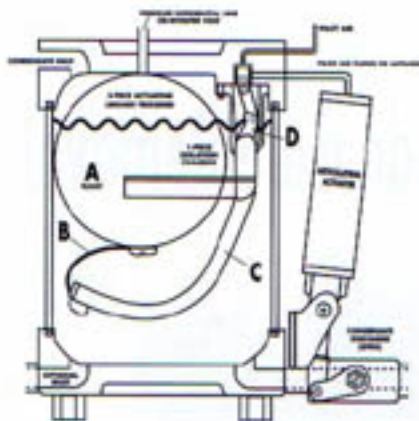
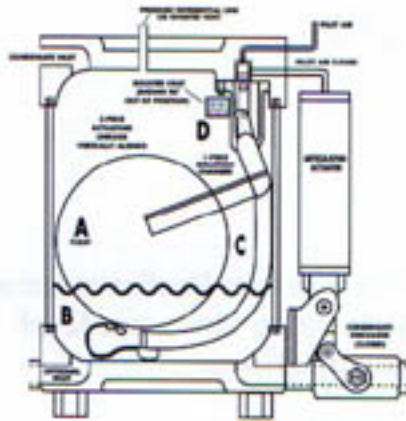
PRECISION
pneumatics

WORLD CLASS

U.S. Patent No's. 5,417,237
5,687,754

DEHYDRA 52

condensate purge system



OPERATING CYCLE

As condensate accumulates in the reservoir, float (A) rises, until tether (B) pulls trigger arm (C). At the 52 ounce level, actuating linkage (D) moves laterally, opening the pilot air, which powers the actuator, discharging the liquid. Float drops as liquid exits, lever assembly returns to vertically aligned position, pilot air is shut off, causing discharge valve to close.

FEATURES BENEFITS

Demand Activated	Eliminates need for pre-setting
Zero Air Loss	Energy efficiency
Large 52 Ounce Reservoir	Fewer cycles; extended service life
Plated, Anodized Components	Prepared for chemically aggressive environments
Manual Purge Button	Simple operations check
Internal Flow Booster (proprietary)	Prevents airlock
Sealed Actuation Mechanism	Unaffected by Rust and Pipe Scale

OPERATING PARAMETERS

Maximum Reservoir Pressure	200 PSIG [14 BAR] (standard unit) 450 PSIG [31 BAR] (high pressure unit)
Allowable Fluid Temperature	34-150° Fahrenheit [1-65°C]
Required Pilot Air Pressure	55-120° - PSIG [5.6-8.4 BAR]

SPECIFICATIONS

Weight	11 lbs. [5 Kilos]
Fluid Ports Size	5/8" [16mm]
Ball Valve Port Size	1/2" [13mm] Stainless steel ball stem, double viton "O" rings, nickel plated brass body
Reservoir Capacity	52 oz. [1.39 Liters]
Discharge Quantity (one cycle)	44 oz. @100 PSIG [1.18 Liters @ 7 BAR]
Continuous Flow Quantity	13.6 U.S. gallons per minute [46.8 Liters]

PRECISION
pneumatics
WORLD CLASS